



AMERICAN SNO-PLOWS 2018 EQUIPMENT PRICE LIST

EFFECTIVE JANUARY 1ST, 2018



EVEREST EQUIPMENT CO.

HEAVY- DUTY SNOW & ICE CONTROL

1077 Westmount Street, Ayer's Cliff, QC, Canada J0B 1C0

Tel.: 819-838-4257

Fax: 819-838-5653

www.everestequipment.com



TABLE OF CONTENTS		PAGE
ONE-WAY TRIP MOLDBOARD PLOWS		3
ONE-WAY TRIP EDGE PLOWS		4
HEAVY DUTY STEEL TRIP EDGE REVERSIBLE PLOWS		
HEAVY DUTY POLYMER TRIP EDGE REVERSIBLE PLOWS		
HEAVY DUTY REVERSE-A-CAST TRIP EDGE REVERSIBLE PLOWS		5
HEAVY DUTY CSA TRIP MOLDBOARD REVERSIBLE PLOWS		
HEAVY DUTY REVERSIBLE PLOW OPTIONS		6
LIGHT DUTY FTP POLYMER TRIP EDGE REVERSIBLE PLOWS		
LIGHT DUTY TRAC POLYMER TRIP EDGE REVERSIBLE PLOWS		7
V-PLOWS		8
HITCHES		9
CHASSIS DATA FORM		10
WING SYSTEMS		11
WINGS		12
GI SPREADER BODIES		13

NOTE: ALL PRICES ARE IN AMERICAN DOLLARS, F.O.B. AYER'S CLIFF, QC, CANADA.
EVEREST EQUIPMENT RESERVES THE RIGHT TO CHANGE PRICES WITHOUT
PRIOR NOTIFICATION.



HEAVY DUTY ONE-WAY TRIP MOLDBOARD PLOWS

LOW SPEED

MODEL	PART No.	2018 LIST
640CK (COMES W/ DEFLECTOR)	0031-3-21	\$11,915.00
650CK (COMES W/ DEFLECTOR)	0031-3-22	\$12,371.00
609CK	0031-3-27	\$10,327.00
609CK-HD	0031-3-28	\$10,687.00

HIGH SPEED

MODEL	PART No.	2018 LIST
640SCK	0031-3-25	\$11,423.00
650SCK	0031-3-26	\$12,843.00

HEAVY DUTY ONE-WAY PLOW OPTIONS

DESCRIPTION	PART No.	2018 LIST
MOLDBOARD SHOES 45 DEGREES	0004-1-17 (1) PAIR	\$218.00
PUSHFRAME W/ ADJ. FRAME SHOES	0031-2-4	\$639.00
CK-6 DRIVE FRAME ILO STANDARD (INDICATE FIXED OR ADJ. SHOES)	0031-3-2	\$843.00
TOR-LOK ARROWHEAD (DEALER INSTALLED) (REQUIRES ADJ. SHOES)	0031-3-10	\$488.00
PIN-ON TOR-LOK ARROWHEAD (NOT REQ. W/ PIN ON ADAPTER HITCH. REQUIRES ADJ. SHOES)	0051-3-86	\$657.00
EXTENDED EAR OSCILLATOR BAR (REQUIRES PT HITCH & WING SYSTEM)	0051-3-52	\$270.00
OSCILLATOR BAR ON 21" CENTERS	0051-3-53	\$252.00
MUSHROOM STYLE FRAME SHOES ILO STD	6BO477	\$438.00
3/4" X 6" CARBIDE BLADES (BULL NOSE TYPE)	VARIES PER FOOT	\$145.00
1-1/2" X 10" RUBBER BLADE	VARIES PER FOOT	\$95.00
1/2" X 8" COVER BLADE (FOR THE ABOVE)	VARIES	\$109.00
PAINT MOLDBOARD ALL BLACK	VARIES	\$978.00
SS SKIN FOR ONE-WAY PLOW	VARIES	\$2,480.00

STANDARD EQUIPMENT

NOSE SHOE, (1) MOLDBOARD SHOE @ DISCHARGE, 1/2" X 8" AASHO STEEL BLADE, CK DRIVE FRAME W/ NON-ADJ. SHOES, OSCILLATOR BAR W/ PIN EARS ON 31" CENTERS, & 2-POINT LIFT CHAIN ARRANGEMENT (INCLUDED IN PUSHFRAME).
STANDARD PAINT COLOR: ORANGE.

SPECIFICATIONS

MODEL	640CK	650CK	609CK	609CK-HD	640SCK
CLEARED WIDTH	9'	9'	9'	9'	9'
INTAKE HEIGHT	24"	40"	29"	29"	32"
DISCHARGE HEIGHT	67"	73"	51"	51"	54"
MOLDBOARD GAUGE	10GA	7GA	10GA	7GA	10GA
WEIGHT	1980 LBS	2115 LBS	1945 LBS	1960 LBS	2035 LBS
PLOW LENGTH	11'	11'	11'	11'	11'



HEAVY DUTY ONE-WAY TRIP EDGE PLOWS

MODEL	PART No.	2018 LIST
MC960	0032-4-11	\$12,909.00
MC960-RR85	0032-4-12	\$15,591.00

HEAVY DUTY ONE-WAY TRIP EDGE PLOW OPTIONS

DESCRIPTION	PART No.	2018 LIST
MOLDBOARD SHOES 45 DEGREES	0004-1-17 (1) PAIR	\$218.00
TOR-LOK ARROWHEAD OSCILLATOR BAR	0051-3-33	\$524.00
PIN-ON TOR-LOK ARROWHEAD	0051-3-86	\$657.00
WRAP AROUND CURB SHOE @ DISCHARGE	0004-5-81	\$97.00
3/4" X 6" CARBIDE BLADES (BULL NOSE TYPE)	VARIES PER FOOT	\$145.00
1-1/2" X 10" RUBBER BLADE	VARIES PER FOOT	\$95.00
1/2" X 8" COVER BLADE (FOR THE ABOVE)	VARIES	\$109.00
SS SKIN FOR ONE-WAY PLOW	VARIES	\$2,480.00

STANDARD EQUIPMENT

10 GAUGE STEEL MOLDBOARD, 1/2" X 8" AASHO STEEL BLADE, FIXED ANGLE DRIVE FRAME, OSCILLATOR BAR ON 31" CENTERS, & LIFT CHAIN ARRANGEMENT.
STANDARD PAINT COLOR: ORANGE.

SPECIFICATIONS

MODEL	MC960	MC960-RR85
CLEARED WIDTH	9'	9'
INTAKE HEIGHT	28"	28"
DISCHARGE HEIGHT	56"	56"
MOLDBOARD GAUGE	10GA	10GA
WEIGHT	2100 LBS	2550 LBS
PLOW LENGTH	11'	11'



HEAVY DUTY TRIP EDGE REVERSIBLE PLOWS

STEEL MOLDBOARD HYDRAULIC REVERSE

MODEL	PART No.	2018 LIST
3910-S1SA-RR85	0051-3-162	\$13,663.00
3911-S1SA-RR85	0051-3-163	\$14,103.00
3912-S1SA-RR85	0051-3-164	\$14,675.00
4510-S1SA-RR85	0051-3-166	\$14,512.00
4511-S1SA-RR85	0051-3-167	\$14,952.00
4512-S1SA-RR85	0051-3-168	\$15,083.00
4514-S1SA-RR85	0051-3-169	\$15,355.00

SEE PAGE 7 FOR HEAVY DUTY REVERSIBLE PLOW OPTIONS

STANDARD EQUIPMENT

10 GAUGE STEEL MOLDBOARD, SINGLE SECTION TRIP EDGE, 1/2" X 8" AASHO STEEL BLADE, TWIN HYDRAULIC RAM REVERSE, OSCILLATOR BAR ON 31" CENTERS, & PARA-LEVEL LIFT CHAIN ARRANGEMENT.

POLYMER MOLDBOARD HYDRAULIC REVERSE

MODEL	PART No.	2018 LIST
3910-P1SA-RR85	0051-3-180	\$14,692.00
3911-P1SA-RR85	0051-3-181	\$15,042.00
3912-P1SA-RR85	0051-3-182	\$15,111.00
4510-P1SA-RR85	0051-3-184	\$15,296.00
4511-P1SA-RR85	0051-3-185	\$15,639.00
4512-P1SA-RR85	0051-3-186	\$15,770.00
4514-P1SA-RR85	0051-3-187	\$16,506.00
11' RAC 3351-RR85	0051-3-196	\$20,313.00
12' RAC 3351-RR85	0051-3-198	\$21,194.00
14' RAC 3351-RR85	0051-3-200	\$24,038.00

SEE PAGE 7 FOR HEAVY DUTY REVERSIBLE PLOW OPTIONS

STANDARD EQUIPMENT

3/8" ULTRA HIGH MOLECULAR WEIGHT ORANGE POLYMER MOLDBOARD, SINGLE SECTION TRIP EDGE, 1/2" X 8" AASHO STEEL BLADE, TWIN HYDRAULIC RAM REVERSE, OSCILLATOR BAR ON 31" CENTERS, PARA-LEVEL LIFT CHAIN ARRANGEMENT, & BLACK PAINT ON DRIVE FRAME & MOLDBOARD FRAME. RAC PLOWS ALSO INCLUDE (2) CONTOUR CYLINDERS.

HEAVY DUTY TRIP MOLDBOARD REVERSIBLE PLOWS

MODEL	PART No.	2018 LIST
CSA4210-RR85	0051-3-225	\$14,758.00
CSA4211-RR85	0051-3-224	\$14,988.00
CSA4212-RR85	0051-3-226	\$15,230.00

SEE PAGE 7 FOR HEAVY DUTY REVERSIBLE PLOW OPTIONS

STANDARD EQUIPMENT

42" MOLDBOARD HEIGHT & 10 GAUGE STEEL MOLDBOARD.
STANDARD PAINT COLOR: ORANGE.



HEAVY DUTY REVERSIBLE PLOW OPTIONS

DESCRIPTION	PART No.		2018 LIST
3/4" X 6" CARBIDE BLADES (BULL NOSE TYPE)	VARIES	PER FOOT	\$145.00
1-1/2" X 10" RUBBER BLADE	VARIES	PER FOOT	\$95.00
1/2" X 8" COVER BLADE (FOR THE ABOVE)	VARIES		\$109.00
MOLDBOARD SHOES	0004-1-14	(1) PAIR	\$234.00
WRAP AROUND CURB SHOES	0004-5-81	(1) PAIR	\$187.00
CARBIDE MOLDBOARD SHOES	0004-3-10	(1) PAIR	\$450.00
RUBBER DEFLECTOR SHIPPED LOOSE	VARIES	PER FOOT	\$67.00
TOR-LOK ARROWHEAD OSC. BAR RR85	0051-3-33		\$524.00
TOR-LOK ARROWHEAD OSC. BAR WG	0051-3-129		\$639.00
PIN-ON TOR-LOK ARROWHEAD	0051-3-86		\$657.00
OSCILLATOR BAR ON 21" CENTERS RR85	0051-3-53		\$252.00
OSCILLATOR BAR ON 21" CENTERS WG	0051-3-155		\$252.00
EXTENDED EAR OSCILLATOR BAR RR85	0051-3-52		\$270.00
FALLS STYLE OSCILLATOR BAR	0051-3-130		\$808.00
OSCILLATOR BAR RR85 QC	0051-3-208		\$585.00
SCREW ADJ. 10" STEEL CASTERS	0080-3-71	(1) PAIR	\$2,067.00
SCREW ADJ. FRAME SHOES	0080-3-46	(1) PAIR	\$1,601.00
SCREW ADJ. MUSHROOM SHOES	0080-3-64	(1) PAIR	\$1,770.00
18" PNEUMATIC TIRE CASTERS	0080-3-51	(1) PAIR	\$5,024.00
CABLE & DRUM KIT (BOLT-ON)	4A5738		\$431.00
PARKING LEG SCREW JACK STYLE	0051-2-135		\$151.00
WORM GEAR DRIVE FRAME ILO RR85	0051-4-150		\$1,347.00
PLOW MARKERS (SHIPPED LOOSE)	9BO816	(1) PAIR	\$56.00
MN DOT SOLENOID OPTION (RAC PLOWS)	0051-3-131		\$933.00
HD SKIN UPGRADE (STEEL TRIP EDGE REVERSIBLE PLOWS)			\$341.00
SS SKIN FOR REVERSIBLE PLOW	VARIES		\$2,480.00



LIGHT DUTY POLYMER TRIP EDGE REVERSIBLE PLOWS

MODEL	PART No.	2018 LIST
FTP-108	0052-1-32	\$7,542.00
FTP-120W W/ OSCILLATOR BAR	0052-1-34	\$8,950.00
TRAC-108	0051-4-479	\$11,667.00
TRAC-120	0051-4-480	\$12,942.00

LIGHT DUTY TRIP EDGE REVERSIBLE PLOW OPTIONS

DESCRIPTION	PART No.		2018 LIST
PLOW MARKERS (SHIPPED LOOSE)	9BO816	(1) PAIR	\$56.00
8" RUBBER DEFLECTOR (SHIPPED LOOSE)	VARIES	PER FOOT	\$67.00
MOLDBOARD SHOES	0004-2-28	(1) PAIR	\$161.00
ADJ. MUSHROOM SHOES (FIXED NOT SCREW)	0052-1-6	(1) PAIR	\$393.00
WRAP AROUND CURB SHOES	0004-5-46	(1) PAIR	\$181.00
3/4" X 6" CARBIDE BLADES (BULL NOSE TYPE)	VARIES	PER FOOT	\$145.00
1-1/2" X 10" RUBBER BLADE	VARIES	PER FOOT	\$95.00
1/2" X 8" COVER BLADE (FOR THE ABOVE)	VARIES		\$109.00

STANDARD EQUIPMENT

3/8" ULTRA HIGH MOLECULAR WEIGHT ORANGE POLYMER MOLDBOARD, 1/2" X 8" AASHO STEEL BLADE, HYDRAULIC POWER ANGLE, OSCILLATOR BAR W/ FTP-120W, 8" STEEL DEFLECTORS (FTP PLOWS), TRAC-120 STEEL BLADE AASHO PUNCH, SINGLE SECTION TRIP EDGE, LIFT CHAIN ARRANGEMENT, PUSHFRAME & MOLDBOARD FRAME PAINTED BLACK, & HEAVY DUTY "A" FRAME.

SPECIFICATIONS

MODEL	FTP-108	FTP-120W	TRAC-108	TRAC-120
HEIGHT	30"	33"	22"-33"	22"-33"
WIDTH	9'	10'	9'	10'
WEIGHT	650 LBS	740 LBS	970 LBS	1025 LBS



V-PLOWS

MODEL	PART No.	2018 LIST
4510SP	0090-3-13	\$25,429.00
469SP	0090-3-14	\$22,921.00

STANDARD EQUIPMENT

7 GAUGE STEEL MOLDBOARD, (2) 1/2" X 8" AASHO STEEL BLADE, 8" PUNCH, MOLDBOARD SHOES, HEEL SHOES, DRIVE BARS (SPECIFY LENGTH), HINGED DEFLECTOR, & LIFT CHAINS.

SPECIFICATIONS

MODEL	4510SP	469SP
CLEARED WIDTH	10'	9'
NOSE HEIGHT	54"	57"
REAR HEIGHT	96"	102"
WEIGHT	3500 LBS	



HITCHES

LIGHT DUTY HITCH

MODEL	PART No.	2018 LIST
F550 SUPER DUTY HITCH WITH MOUNT KIT	0005-4-XXXX	\$3,313.00
MODEL YEAR 2017 & NEWER ONLY		

HEAVY DUTY LOW MOUNT HITCHES

MODEL	PART No.	2018 LIST
TORQUE ARM HITCH WITH MOUNT KIT	0005-4-776	\$4,917.00
INCLUDES S/A CYLINDER		
LOW MOUNT HITCH WITH MOUNT KIT	0005-3-531	\$4,688.00

HEAVY DUTY POWER TILT HITCHES

MODEL	FRAME WIDTH	PART No.	2018 LIST
TILT HITCH 34 1/2	33-1/2 - 34-3/8	300A0001	\$7,141.00
TILT HITCH 35 1/4	34-1/2 - 35-1/8	300A0002	\$7,141.00
TILT HITCH 36	35-1/4 - 35-7/8	300A0003	\$7,141.00
TILT HITCH 36 3/4	36 - 36-5/8	300A0004	\$7,141.00
TILT HITCH 42 1/2	41-1/2 - 42-3/8	300A0005	\$7,141.00
TILT HITCH 43 1/4	42-1/2 - 43-1/8	300A0006	\$7,141.00
TILT HITCH 44	43-1/4 - 43-7/8	300A0007	\$7,141.00
TILT HITCH 44 3/4	44 - 44-5/8	300A0008	\$7,141.00
TILT HITCH 47 1/2	46-1/2 - 47-3/8	300A0009	\$7,141.00
TILT HITCH 48 3/8	47-1/2 - 48-1/4	300A0010	\$7,141.00
DUAL TILT HITCH KIT (FOR HITCHES ABOVE)	0005-3-1213		\$923.00

SEE PAGE 11 FOR CHASSIS DATA FORM (NEEDS TO BE FILLED FOR ALL HITCH ORDER)

HITCH OPTIONS

DESCRIPTION	PART No.	2018 LIST
5/8" SIDE PLATES	0005-2-579	LH \$187.00
	0005-2-580	RH OR LH & RH
DUAL DRIVE CENTERS ON 31" & 21" (DLR INST.)	0005-5-20	\$97.00
WELD-ON TOR-LOK FEMALE LOCKING DEVICE	0010-3-5	\$1,050.00
PIN-ON TOR-LOK FEMALE LOCKING DEVICE	0010-3-19	\$1,726.00
V-PLOW GRAB LINKS (INSTALLED)	0001-2-13	\$163.00
4" X 8.38" D/A LIFT CYL. LOW MOUNT ONLY	0003-1-155	\$187.00



EVEREST EQUIPMENT CO.
HEAVY- DUTY SNOW & ICE CONTROL



TRUCK CHASSIS DATA FORM

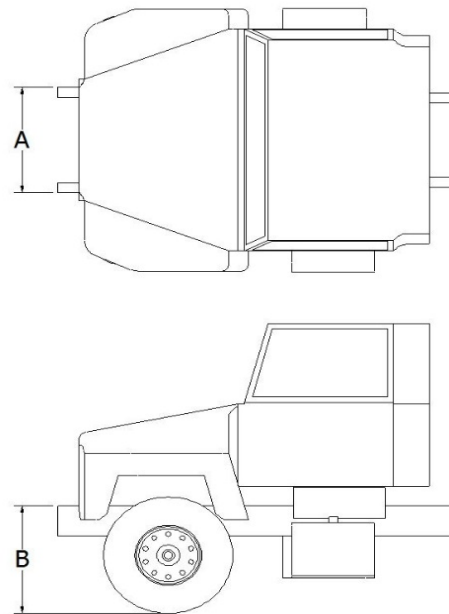
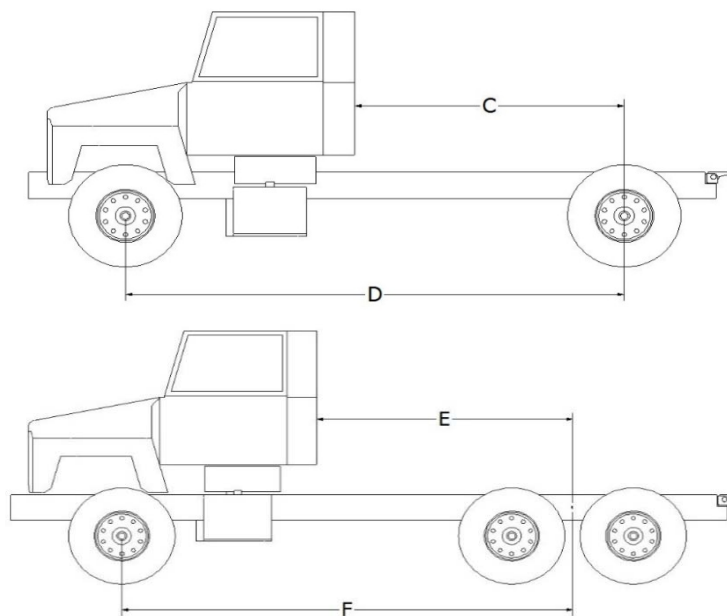
GENERAL INFORMATIONS		
DATE:	DEALER:	CLIENT:
YEAR:	MAKE:	MODEL:
TILT HOOD: Y <input type="checkbox"/> N <input type="checkbox"/>	FIXED GRILL: Y <input type="checkbox"/> N <input type="checkbox"/>	AXLE: BACK <input type="checkbox"/> FWD <input type="checkbox"/>

G.V.W. (GROSS VEHICLE WEIGHT)		
FRONT AXLE EMPTY (lbs):	REAR AXLE EMPTY (lbs):	TOTAL EMPTY (lbs):

G.A.W.R (GROSS AXLE WEIGHT RATING)	
FRONT AXLE (lbs):	REAR AXLE (lbs):

DRIVE AXLE	
4 X 2	6 X 4
4 X 4	6 X 6
6 X 2	

DIMENSIONS REQUIRED	
FRAME WIDTH O.D. (A)	CA OR CT (C OR E):
FRAME HEIGHT (B)	WHEEL BASE (D OR F):





WING SYSTEMS

PATROL TYPE, NON TRIP

MODEL (RT/FT/TRIP/ARMS)	PART No.	2018 LIST
P89/FP88/NT/66	0065-1-1	\$12,141.00
P88HL/FP88/NT/66 (HI-LIFT PATROL)	0065-1-3	\$15,611.00

UNDERSLUNG SADDLE PATROL TYPE, NON TRIP

MODEL (RT/FT/TRIP/ARMS)	PART No.	2018 LIST
P90/FP88/NT/EA (EXTENDABLE ARM)	0065-1-41	\$15,127.00
P90/FP88/NT/FA (FIXED ARM) (SINGLE PUSH ARM, NO OIL TANK INCLUDED)	0065-1-42	\$13,375.00

SINGLE LEVELING TYPE, NON TRIP

MODEL (RT/FT/TRIP/ARMS)	PART No.	2018 LIST
P87SS/FP87/NT/66 INDEPENDENT TOWERS	0065-1-5	\$18,109.00
P87HS/FP87/NT/66 INDEPENDENT TOWERS	0065-1-7	\$19,528.00
P81SS/FP87/NT/66 INTEGRAL TOWERS	0065-1-13	\$20,179.00
P81HS/FP87/NT/66 INTEGRAL TOWERS	0065-1-15	\$21,214.00

DUAL LEVELING TYPE, NON TRIP

MODEL (RT/FT/TRIP/ARMS)	PART No.	2018 LIST
P87SD/FP87/NT/66 INDEPENDENT TOWERS	0065-1-9	\$33,002.00
P87HD/FP87/NT/66 INDEPENDENT TOWERS	0065-1-12	\$36,034.00
P81SD/FP87/NT/66 INTEGRAL TOWERS	0065-1-17	\$37,121.00
P81HD/FP87/NT/66 INTEGRAL TOWERS	0065-1-19	\$39,188.00

NOTE: DEALER TO SPECIFY IF FP87H IS REQUIRED IN LIEU OF THE FP87.

WING SYSTEM OPTIONS

DESCRIPTION	PART No.	2018 LIST
UPGRADE TO SAFETY TRIP ADJ. "D" SERIES	0002-3-29	\$1,018.00
UPGRADE TO SAFETY TRIP ADJ. "B" SERIES	0002-3-48	\$1,018.00
UPGRADE TO "WT" RUBBER SAFETY TRIP	0A1590	\$2,490.00
UPGRADE TO ANY SAFETY TRIP FOR DUAL	VARIES	(THE ABOVE)
 40 GAL SIDE MOUNT TANK FOR P90 SYSTEMS	 0070-3-288	 \$1,383.00
 MANUAL WING TRAVEL POSITIONER (DRA)	 0070-4-294	 \$1,395.00
AIR ASSISTED WING TRAVEL POSITIONER	3A4552	\$2,046.00

SPECIFICATIONS

MODEL	P81S	P81H	P87S	P87H	FP87S
SLIDE TRAVEL	34"	54"	43"	55"	68"
POST/BEAM WIDTH	12"	12"	12"	12"	8"



WINGS

MODEL	PART No.	2018 LIST
10DRA37	0060-3-114	\$4,054.00
11DRA38	0060-3-111	\$4,504.00
12DRA39	0060-4-58	\$4,954.00
13DRA40	0060-4-91	\$5,419.00
14DRA41	0060-4-89	\$6,339.00
11BRA38 (COMES W/ ARM BRACKET)	0060-4-148	\$4,657.00
12BRA39 (COMES W/ ARM BRACKET)	0060-4-147	\$4,933.00
13BRA40 (COMES W/ ARM BRACKET)	0060-4-146	\$5,254.00
14BRA41 (COMES W/ ARM BRACKET)	0060-4-177	\$5,903.00
1141 TERA (COMES W/ TRIP EDGE)	0060-4-75	\$6,619.00
1242 TERA (COMES W/ TRIP EDGE)	0060-4-67	\$6,669.00

NOTE: ALL WINGS MEASURED OVERALL LENGTH. CUTTING EDGE IS 1' SHORTER.

WING OPTIONS

DESCRIPTION	PART No.	2018 LIST
TOP BRACE - NON TRIP	0070-1-25	\$667.00
TOP BRACE - FULL TRIP	0070-1-32	\$1,050.00
COMPRESSION BOTTOM BRACE - TRIP	0070-1-541	\$819.00
3/4" X 6" CARBIDE BLADES (BULL NOSE TYPE)	VARIES PER FOOT	\$145.00
1-1/2" X 10" RUBBER BLADE	VARIES PER FOOT	\$95.00
1/2" X 8" COVER BLADE (FOR RUBBER BLADE)	VARIES	\$109.00
EXTRA MOLDBOARD SHOE - INSTALLED	9BO693	\$119.00
CARBIDE MOLDBOARD SHOE ILO STD	0004-3-10	\$450.00
3/8" POLYMER LINER	VARIES	\$1,218.00
PAINTED ALL BLACK	VARIES	\$484.00
SS SKIN FOR WING	VARIES	\$1,290.00

STANDARD EQUIPMENT

(1) MOLDBOARD SHOE, 1/2" X 8" AASHO STEEL BLADE, LEFT HAND MODELS AVAILABLE, 7 GAUGE STEEL MOLDBOARD, & HORINZONTAL & VERTICAL RIBS.
STANDARD PAINT COLOR: ORANGE.



GI SPREADER BODIES

MODEL	PART No.	2018 LIST
GI-85	0110-4-29	\$36,220.00
GI-90T	0110-4-34	\$48,065.00

GI SPREADER BODY OPTIONS

DESCRIPTION	PART No.	2018 LIST
GI-90T SCREEN ASSEMBLY	0110-4-40	\$3,724.00
GI-85 SCREEN ASSEMBLY	0110-4-41	\$3,139.00
FRAME MOUNTED CABSHIELD (82" LEGS)	0110-3-61	\$1,143.00
AIR TAILGATE KIT W/ CYL & LINES	6B1562	\$413.00
GI-85 D/A VALVE OPERATING MECHANISM	0110-2-57	\$1,617.00
GI-90T D/A VALVE OPERATING MECHANISM	0110-X-XX	\$1,806.00
TAILGATE W/ 3 COAL DOOR CHUTES GI-85	0110-3-51	\$2,474.00
POLY FLOOR LINER GI-90T (DLR INSTALLED)	0110-4-51	\$1,853.00
1/4" POLY FLOOR LINER GI-85 (DLR INSTALLED)	0110-4-44	\$1,538.00
VIBRATOR KIT (SHIPPED LOOSE)	0110-1-55	\$2,046.00
HINGED CONVEYOR COVER	0110-4-42	\$571.00
AUGER IN LIEU OF CROSS CONVEYOR	SPECIFY	\$5,105.00
WEDGE / PADDLE IN LIEU OF PIN	SPECIFY	\$1,756.00

STANDARD EQUIPMENT

DROP CHUTE, HOIST GUIDE KIT (GI-90T ONLY), POLY SPINNER, FRONT & REAR HINGE EARS, CONVEYOR COVER, & SHIPPED IN PRIMER COAT PAINT ONLY. NO FINISH COAT.